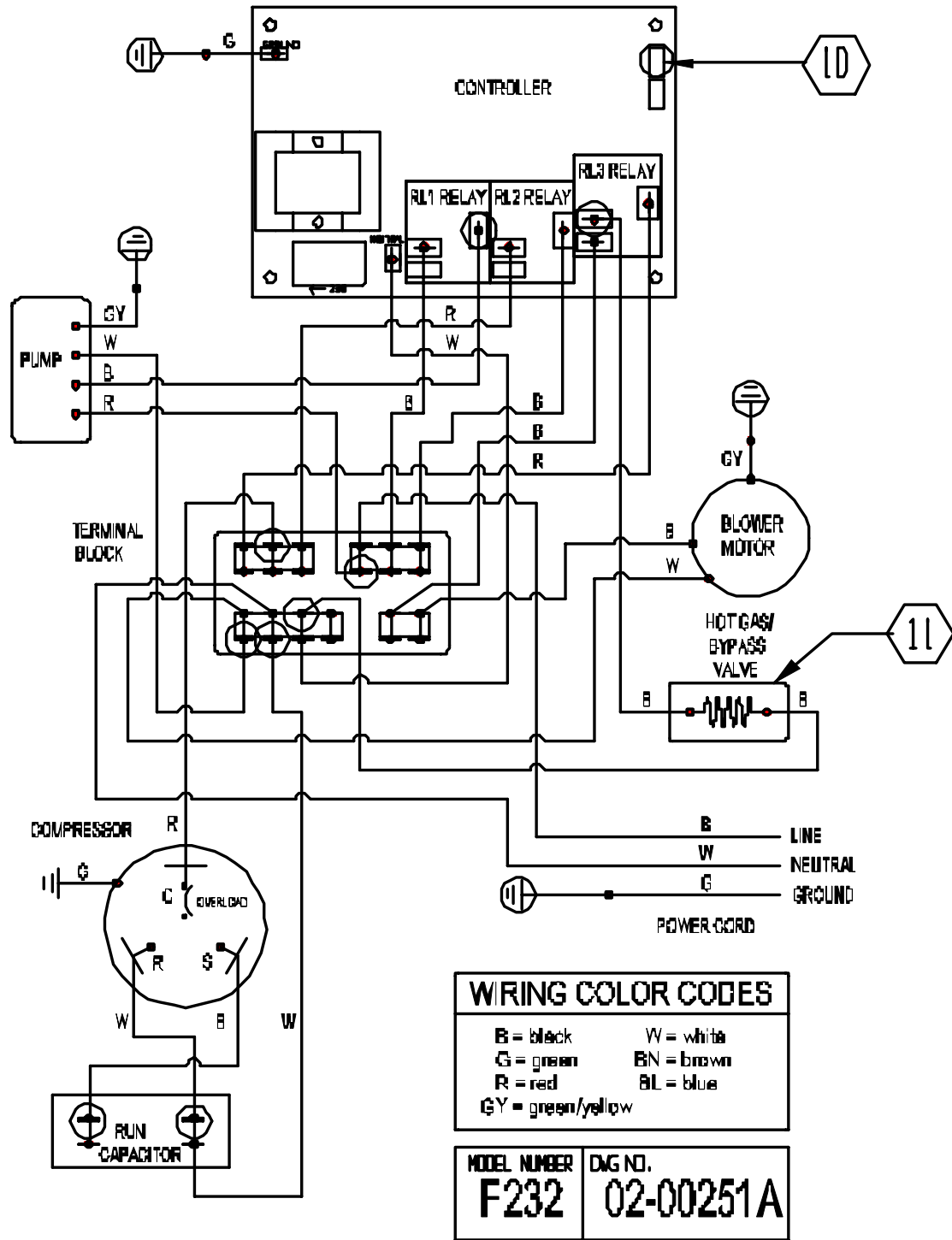


DRIZAIR 2000 - 115V 60HZ WIRING DIAGRAM



○ = DISCONNECT POINTS DURING HANDLE REMOVAL PROCESS (14 POINTS)