

HYDRO-ZONE

INFORMATION & OPERATING INSTRUCTIONS

READ ALL INSTRUCTIONS BEFORE OPERATING

OZONE IS A POWERFUL OXIDIZER AND MUST BE USED WITH CARE

WARNING: USE IN UNINHABITED AREAS ONLY. CONSULT MSDS SHEET BEFORE USE. Ozone attacks organic matter. Limited exposure can cause nausea. **Do not re-inhabit area until all ozone smell has dissipated.** Prolonged exposure can be hazardous. Prolonged exposure can also affect certain organic materials such as rubber, plastic, wire insulation. Do not get machine wet.

INSPECTION:

Carefully unpack and inspect the HYDRO-ZONE for shipping damage. Each unit is tested and inspected before shipment. Any damage incurred is the responsibility of the carrier, who should be notified immediately.

All cleaning and maintenance work should be completed and dried before using the Ozone machine. Ozone treatment generally should be the final step in room maintenance.

NOTE: The air flowing into the machine must be clean and dry.

NOTE: If the air intake filter is missing or dirty, warranty is voided.

OPERATION:

NOTE: Ozone is a toxic gas. Follow all safety precautions.

1. Make certain all people, pets, and plants are out of the area. Close all windows and doors.
2. Make sure the filter in front of the cooling fan is installed and clean.
3. Place the Hydro-Zone unit on a shelf or tabletop as high in the area to be treated as possible.
4. Plug the power cord into a grounded, 3-prong outlet.
5. Set the timer to the desired length of time. Momentarily pressing the UP timer for one second will increase the time setting by one minute at a time. Hold the button for 1-3 seconds to change the time value by two minutes per second. Hold the button for longer than 3 seconds and the time setting will change by 20 minute increments. The maximum time setting is 29:59 hours. After reaching the maximum time, the timer will wrap back to 00:00 and continue increasing. When the time is being decreased and reaches 00:00, it will wrap to 29:59 and continue decreasing.
6. Select the desired power level: 25%, 50%, 75% or 100%. The Hydro-Zone unit always sets to 100% when you plug it in. When the outlet level is set to 100%, the machine makes ozone continuously until the timer runs out or the OFF button is pressed. At other power level settings, the machine will produce ozone for the fraction of a minute the level is set at. For example, if the output level is set to 75%, the machine will produce ozone for 45 seconds of each minute. At 50%, ozone will be created for 30 seconds of each minute, and at 25%, the ozone generation only will occur for 15 seconds of each minute. On any setting other than 100%, the Hydro-Zone will be cycling the ozone ON and OFF.

7. Turn the unit on by pressing the ON button. **Leave the area.**
8. When treatment is complete, unplug the Hydro-Zone and ventilate the area completely until the smell of ozone is gone. Do **NOT** allow people, pets or plants back into the area until all smell of ozone is dissipated.

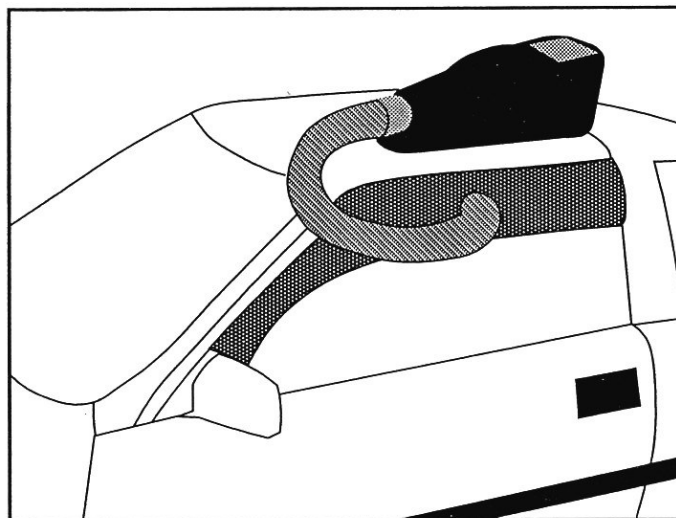
TIME GUIDELINES:

This ozone unit will control biological contamination and odor in areas up to 40,000 FT³. Use the following times as a guideline.

Hotel/Motel Room:	20-60 Minutes
Automobiles:	20-30 Minutes
Fire & Flood Restoration:	12-72 Hours

For Automobiles

1. Install the hose onto the electrode chamber. Secure the hose with the hose clamp.
2. Set the Hydro-Zone on top of the car.
3. Install the foam block into a partially closed car window, and insert the hose into the hole in the foam.
4. Set the time and the output level.
5. Turn the Hydro-Zone machine ON.
6. When treatment is complete, ventilate the car completely. Repeat treatment if necessary.



Note: Ozone destroys odor causing molecules, thus eliminating the source of the odor. The length of time this process takes will vary depending on the amount of contaminants the ozone has to work on, the amount of area being treated, and this process can produce a haze in the air within the area being treated.

Actually Seeks Out and Destroys the Bacteria and Molecules That Cause Odors!

Not a simple coverup or ionizer, the HYDRO-ZONE unit is an economical environmental odor neutralizer that actually destroys the source of the odor and leaves pure, fresh oxygen in its place.

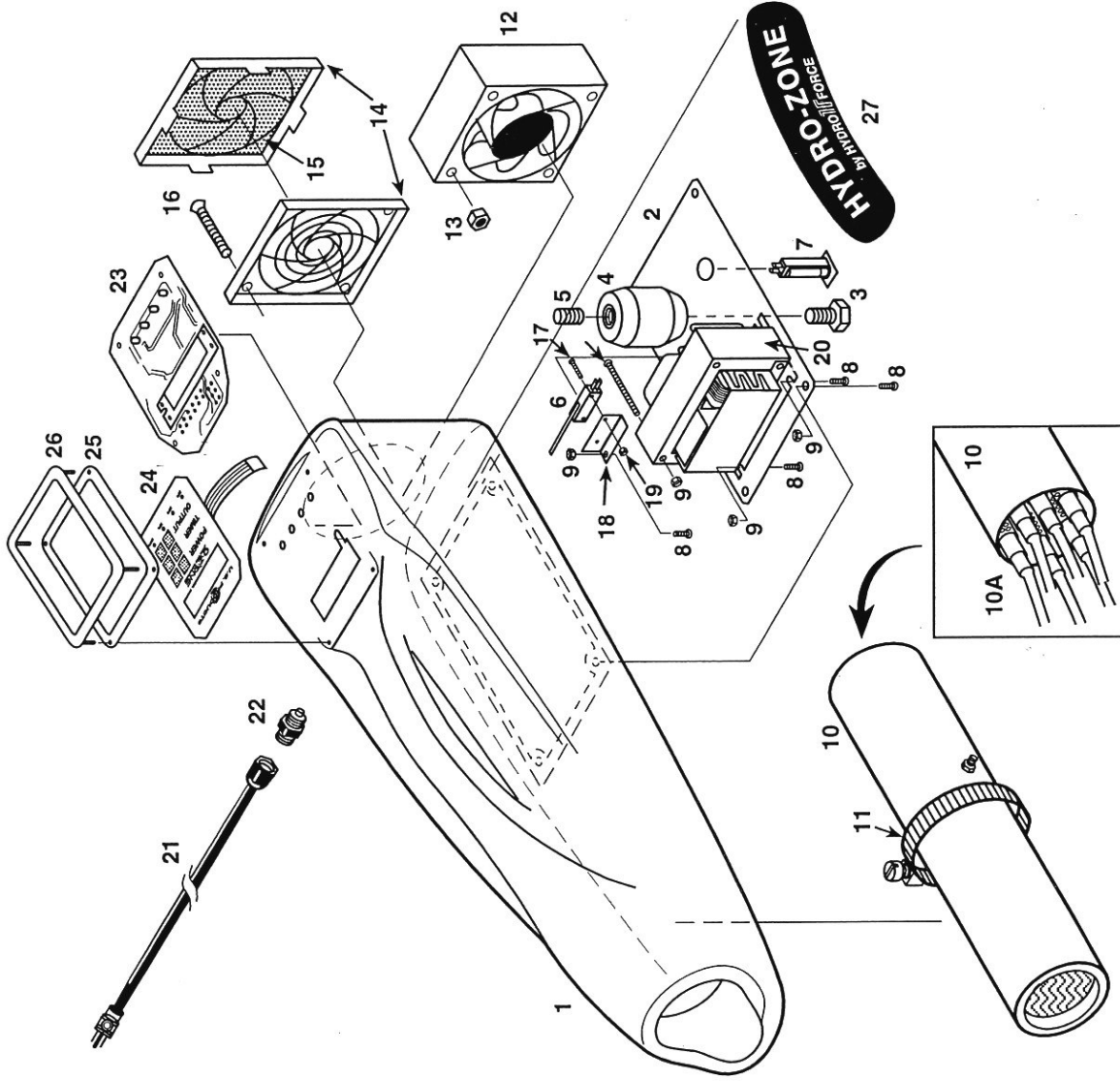
This large-capacity ozone generator is ideal for commercial use. It is excellent for removing odors from smoke damage, mold, mildew, pet and other sources commonly encountered in building maintenance and refurbishing.

The HYDRO-ZONE unit will eliminate odor in any indoor location including basements, kitchens, bathrooms and more. It also provides rapid deodorizing of hotel/motel rooms, meeting rooms and used cars.

FEATURES & SPECIFICATIONS:

- DESTROYS THE SOURCE OF THE ODOR: Not just a coverup or ionizer
- REMOVES ODORS: Caused by smoke, pets, mold, mildew, etc.
- 30 HOUR DIGITAL TIMER/PROGRAMMER
- VARIABLE OZONE OUTPUT SETTINGS
- HIGH DENSITY: Ceramic & stainless steel electrodes (patented)
- POWER SUPPLY OVERLOAD PROTECTION
- ODOR & BIOLOGICAL CONTROL: For areas up to 40,000 cubic feet (1,113 M3)
- FIRE RESTORATION: 4,000 Cubic Feet (113 M3)
- GARBAGE BINS: 0-8 Cubic Yards (0-2 M3)
- OUTPUT: 7.95 ppm / 2.65 gr/hr, 100 CFM
- RUGGED CONSTRUCTION: Rotational molded hexane co-polymer body with lifetime guarantee
- DIMENSIONS: 8"H x 8"W x 22"L
- WEIGHT: 12½ lbs.
- MADE IN THE USA
- No Plates or UV Tubes to Maintain
- WARRANTY: 2 year with Lifetime Warranty on Ozone Electrodes (patented)

HYDRO-ZONE



NO	DESCRIPTION	PART NO
1	Housing	OZ-1
2	Mounting Plate, Bottom	OZ-18
3	Bolt, 3/8" x 1/2"	326
4	Terminal Block	OZ-10
5	Stud, 3/8" x 1 1/8"	327
6	Safety Switch	OZ-8
7	Circuit Breaker 1/2 Amp.	OZ-5
8	Bolt	364
9	Nylon Lock Nut, 10-32	17
10	High Voltage Electrode Chamber	FP242
10A	Electrode Assembly	FP241
11	Hose Clamp	198
12	Fan	2014
13	Locknut	324
14	Fan Cover Assembly (includes filter)	2015A
15	Fan Filter	2015B
16	Bolt, 8/32 x 2 1/2", S/S	323
17	Screw, 4-40 x 5/8, S/S	328
18	Bracket for Safety Switch	OZ-22
19	Nylon Lock Nut, 4-40, S/S	18
20	Transformer	OZ-4
21	Power Cord, 6'	OZ-11
22	Cord Retainer	230 & 230A
23	Control Board Assembly	OZ-17
24	Membrane Key Pad	OZ-20
25	Gasket	OZ-16A
26	Bezel	OZ-16
27	Label	OZ-23

4/17/00

542 W. Confluence Ave. • Salt Lake City, Utah 84123 • 801-268-2673 • Fax 801-268-9856

HYDRO-FORCE